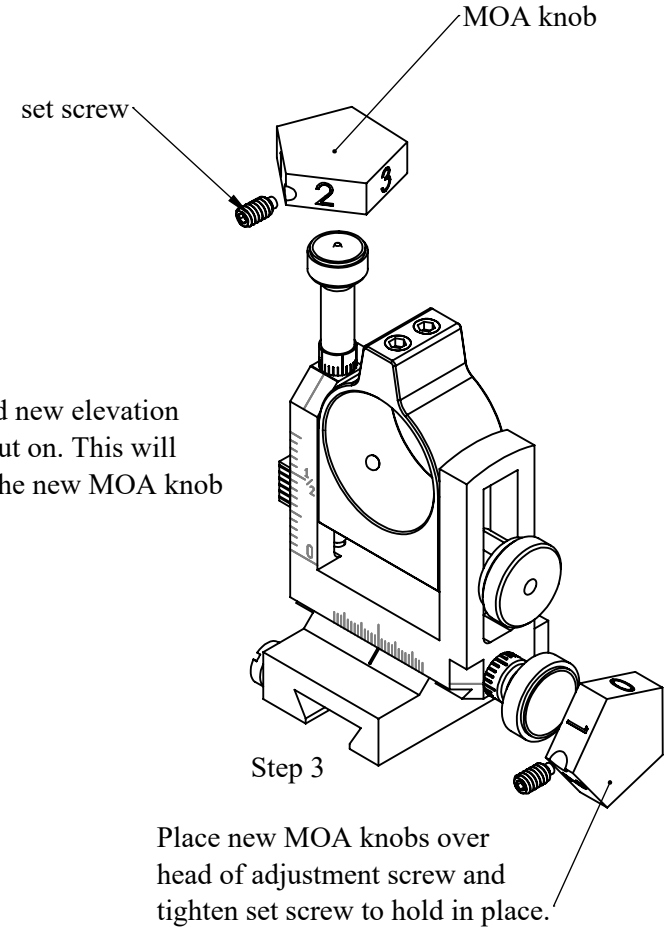
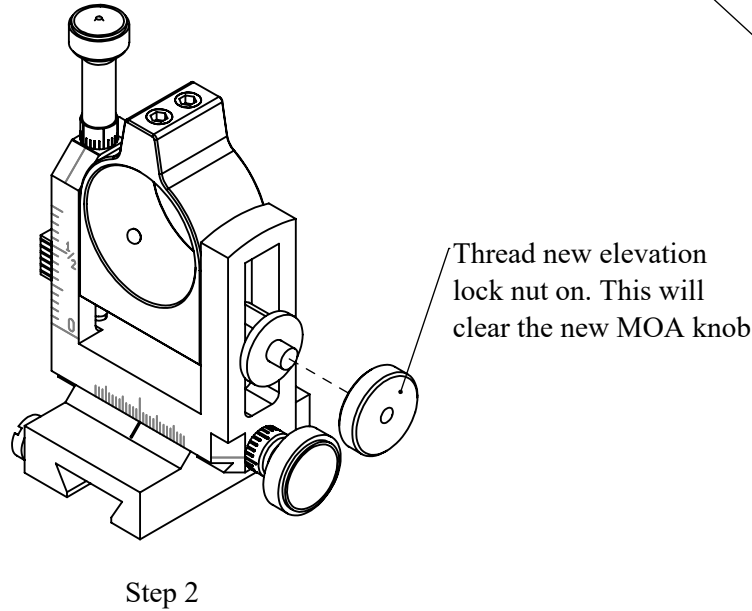
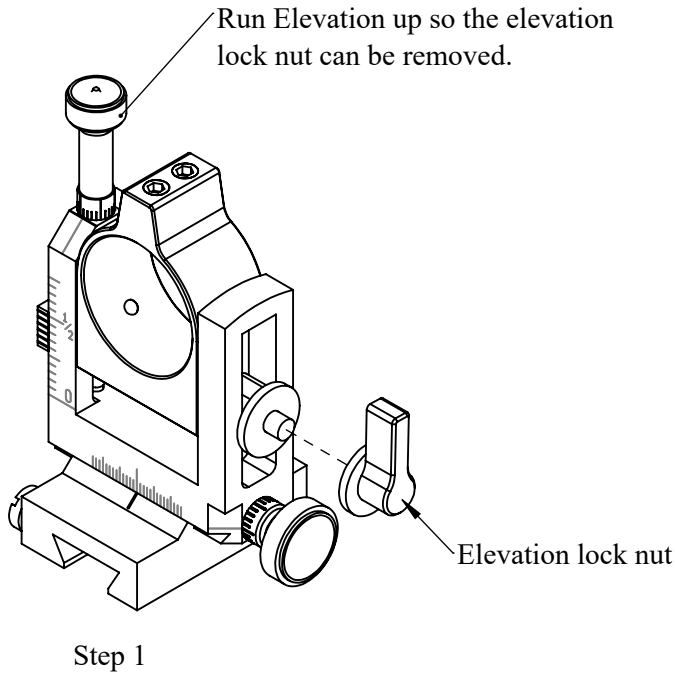


NOTES:  
1. XXX

In order to use the new MOA knob on the windage you must replace the elevation lock nut with the new lock nut that came with your MOA knobs.

REVISIONS				
ECO	REV	DESCRIPTION	DATE	ORIGINATOR
X	N/C			



Tolerance: EAN  
 XXXX = +/- .0005  
 XXX = +/- .005  
 XX = +/- .010  
 Ang = +/- .5 DEG



Montana Vintage Arms Co.  
 61 Andrea Dr., Belgrade, MT 59714  
 Tel (406)388-4027 Fax (406)388-6503

TITLE  
**MOA Knob installation instructions**

PART NUMBER  
**XXX**

CHECKED BY  
 APPROVED BY  
 APPROVED BY

DRAWN BY RCD 9/20/2019  
 DATE OF LAST ENTRY X X/X

DO NOT SCALE TO DRAWING FILE NAME PNXXX-XXX SHEET 1 of 1