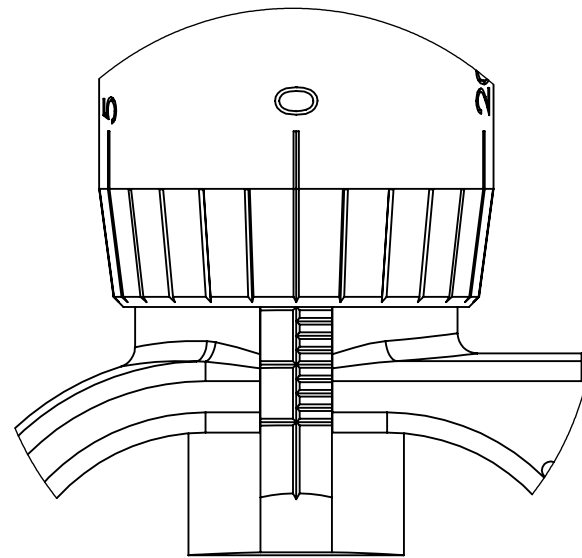
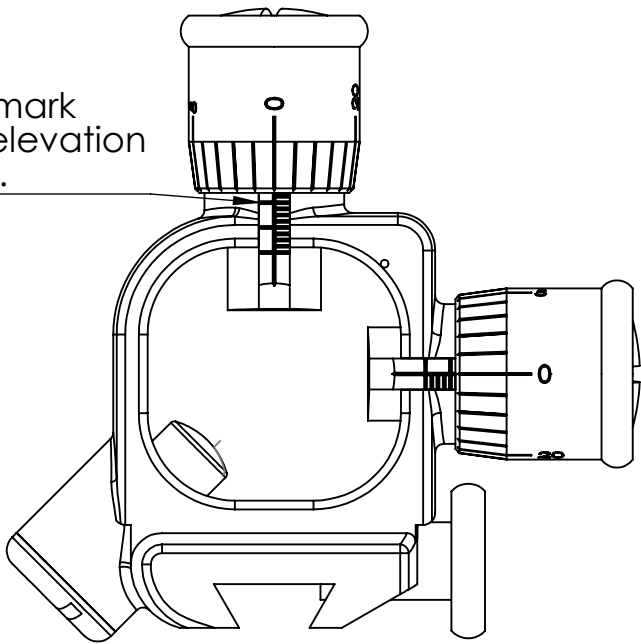
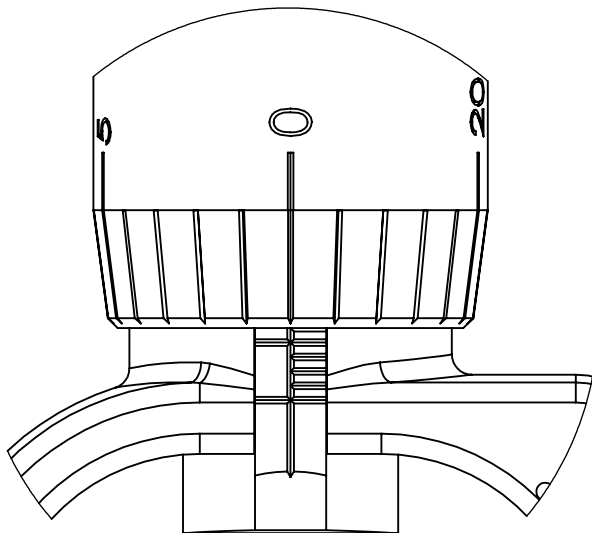


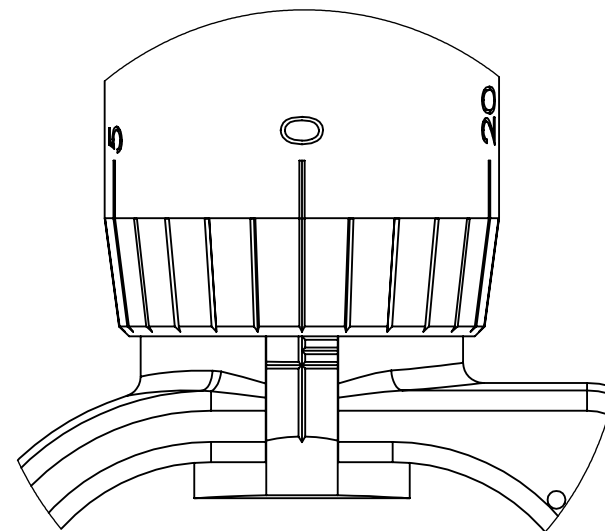
This tic mark
is 0 for elevation
settings.



Elevation knob set to Zero Elevation



Elevation knob set to .075" elevation
37.5 MOA UP at 7.2" mount spacing



Elevation knob set to .150" elevation
75 MOA UP at 7.2" mount spacing

Rear mount adjustments: Counter Clockwise to raise bullet impact, Clockwise to lower.
Counter Clockwise to move impact right, Clockwise to move left.

One full revolution of either knob is .025"